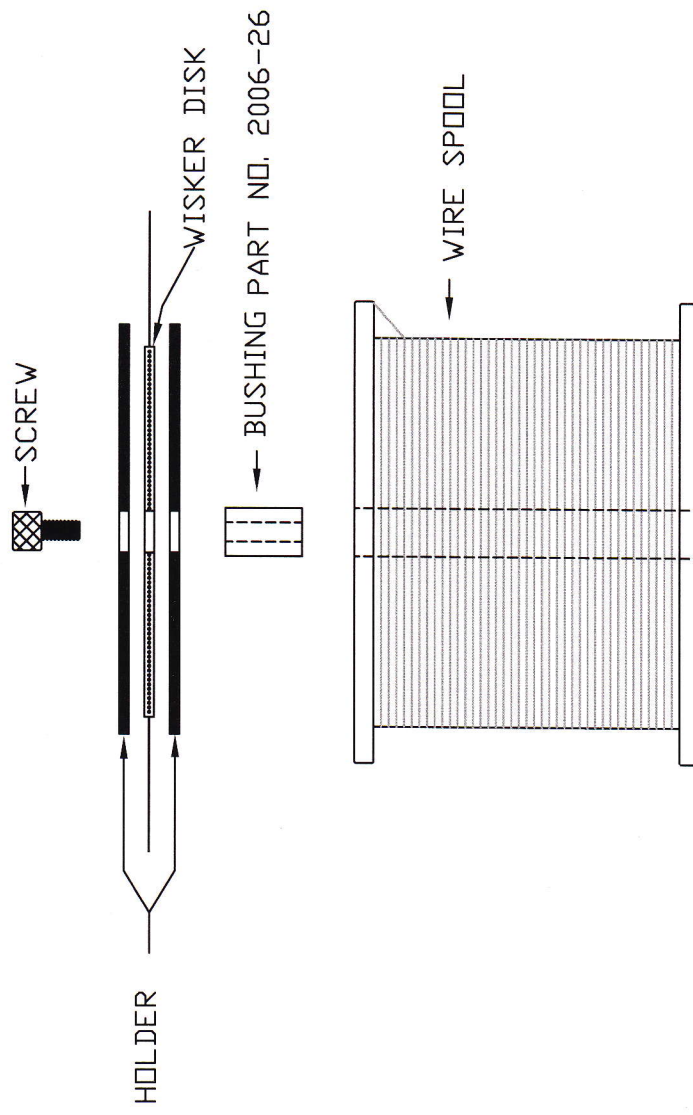


AZONIC PRODUCTS

SHOWING HOW WISKER DISK & HOLDER ARE ASSEMBLED ON WIRE SPOOL



NOTE - ABOVE SKETCH IS SHOWING ASSEMBLY PARTS, SIZES AND SHAPE VARY WITH SIZE OF SPOOL